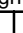



Subaru STD 4Cyl 4Coil 5V Mag

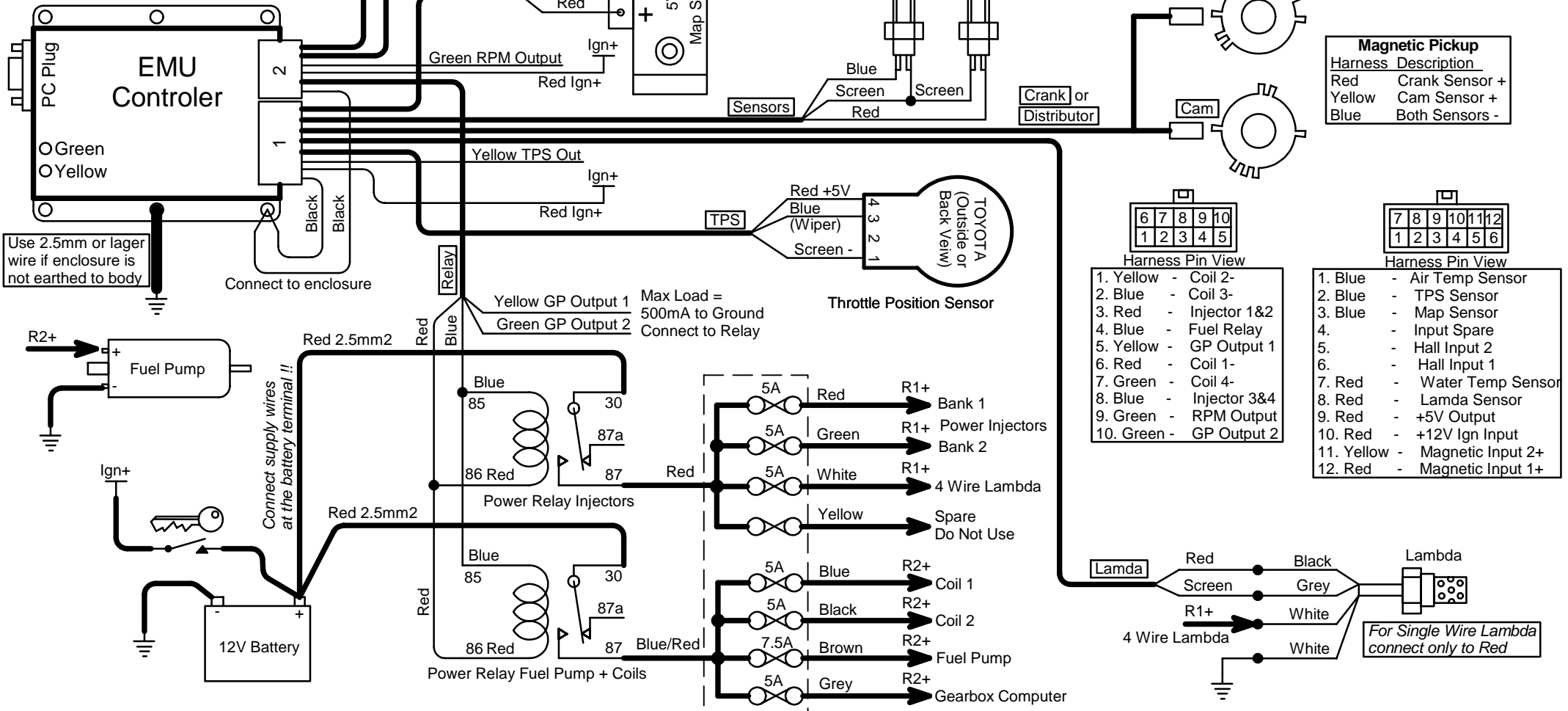
Harness Required: E11 Ver 1.0 & E12 Ver 1.0

Last Changed: 13/05/2009

Drawing Ver: 1.0

Ign+
 Ignition Power
Earth
 Earth
Terminal Connections with the same name are tied together

Led's Functions
 Yellow - Power
 Green - RPM Pulse



Magnetic Pickup

Harness	Description
Red	Crank Sensor +
Yellow	Cam Sensor +
Blue	Both Sensors -

Harness Pin View

6	7	8	9	10
1	2	3	4	5

- Yellow - Coil 2-
- Blue - Coil 3-
- Red - Injector 1&2
- Blue - Fuel Relay
- Yellow - GP Output 1
- Red - Coil 1-
- Green - Coil 4-
- Blue - Injector 3&4
- Green - RPM Output
- Green - GP Output 2

Harness Pin View

7	8	9	10	11	12
1	2	3	4	5	6

- Blue - Air Temp Sensor
- Blue - TPS Sensor
- Blue - Map Sensor
- Input Spare
- Hall Input 2
- Hall Input 1
- Red - Water Temp Sensor
- Red - Lamda Sensor
- Red - +5V Output
- Red - +12V Ign Input
- Yellow - Magnetic Input 2+
- Red - Magnetic Input 1+

Max Load = 500mA to Ground
 Connect to Relay

Use 2.5mm or larger wire if enclosure is not earthed to body

Connect supply wires at the battery terminal !!

For Single Wire Lambda connect only to Red